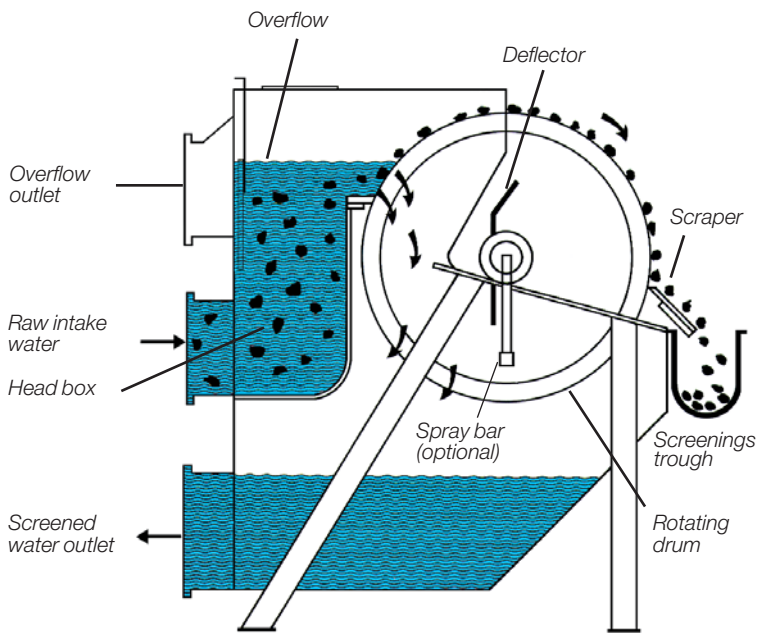


Girasieve®
Rotating drum screen for solid/liquid separation

Operating principle - Construction



PRINCIPLE

The **GIRASIEVE®** is a rotating drum screen used to filter waste water.

After overflowing the head box, the waste water is presented to the upper portion of the drum via a weir. The water passes through the slots of the screen whilst the solids are caught on the surface, dragged along by the rotation of the drum and then removed by a scraper placed on the opposite side from the feed.

In the lower portion the water passes through the drum in the opposite direction. Thanks to the kinetic energy acquired during its fall, it cleans the drum by removing deposits and particles that have not been removed by the scraper. An internal deflector prevents the water from splashing on the screened solids.

Applications

MUNICIPAL SEWAGE

- Fine screening
- Alternative to primary sedimentation
- Storm water screening
- Sludge screening
- Sea outfall screening

RAW INTAKE WATER

- Screening industrial intake water
- Screening fire sprinkler water

CONSTRUCTION

The **GIRASIEVE®** comprises four main parts:

The rotating drum

Manufactured from AISI 304 L or AISI 316 L stainless steel, it is the heart of the unit.

It is constructed from a single helical wound wedge wire around support bars. This construction allows high hydraulic capacity with minimal head loss (Venturi effect).

This drum is available with slot openings from 0.15 to 2.5 mm (consult Andritz for other slot openings). For difficult applications a low or high-pressure spray system is available as an optional extra.

The drive

The standard model has a fixed speed geared motor. Two speed or variable speed motors with a ratio of 1 to 5 can be supplied.

The scraper

This provides continuous removal of solids bound by the rotating drum. It can be changed in a few minutes. The scraper is spring loaded to ensure permanent contact with the drum surface and to automatically compensate for wear.

The frame

The frame of the **GIRASIEVE®**, the head box and the filtrate recovery tank are entirely made of AISI 304 or AISI 316 stainless steel.

The connecting flanges are of the loose type and made of aluminium.

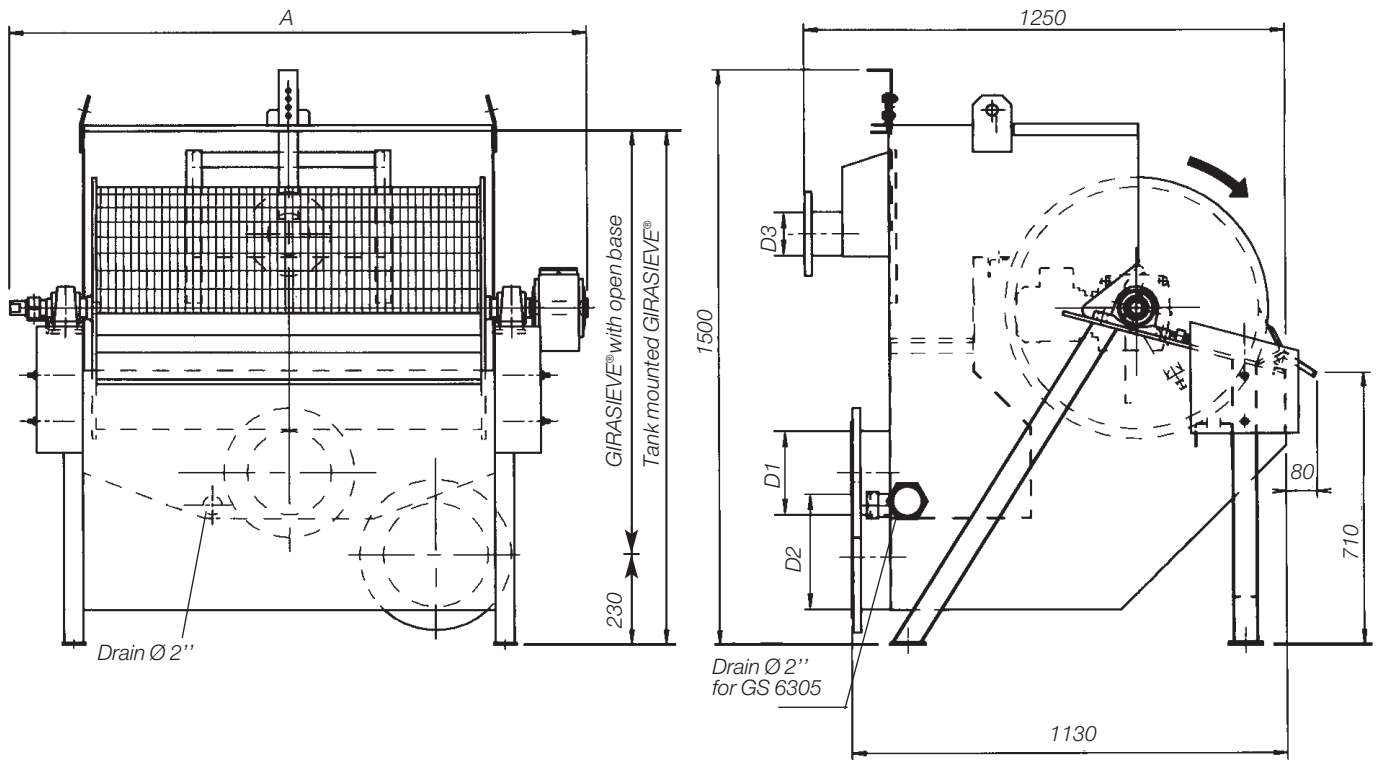
The **GIRASIEVE®** can be supplied:

- with lower water connection tank
- or with open bottom for installation above a pit or a channel (see diagram and photographs on next page).

INDUSTRIAL EFFLUENTS

- Fruit and vegetable canning
- Wine producers and distilleries
- Slaughterhouse and rendering plants
- Fish processing
- Gut processing plants
- Pre-cooked meals
- Sugar refineries, malt houses and breweries
- Textiles and laundries
- Tanneries and fellmongeries
- Chemical, pharmaceutical, refineries
- Pulp and paper
- Paint sludges

Dimensions - Types of frame



Dimensions in mm - Weight in kg									
Type	Drum ø	Drum Length	Motor (kw)	A	D1 (1)	D2 (1)	D3 (1)	Weight of tank mounted unit	
								empty	working
GS6305	630	500	0,37	1000	DN 150	DN 200	DN 100	210	290
GS6310	630	1000	0,37	1500	DN 200	DN 250	DN 100	270	430
GS6315	630	1500	0,37	2000	DN 200	DN 250	DN 100	330	570
GS6320	630	2000	0,55	2500	DN 250	DN 300	DN 200	390	710
GS6325	630	2500	0,55	3000	DN 250	DN 300	DN 200	480	1200

(1) Flanges: DIN 2642 - PN 10

Linear drum speed : 30 cm/s

Standard electrical supply 230/400 V - TRI 50 Hz - Other electrical supply upon request



Tank mounted **GIRASIEVE®**



GIRASIEVE® with open base

Flow capacity chart

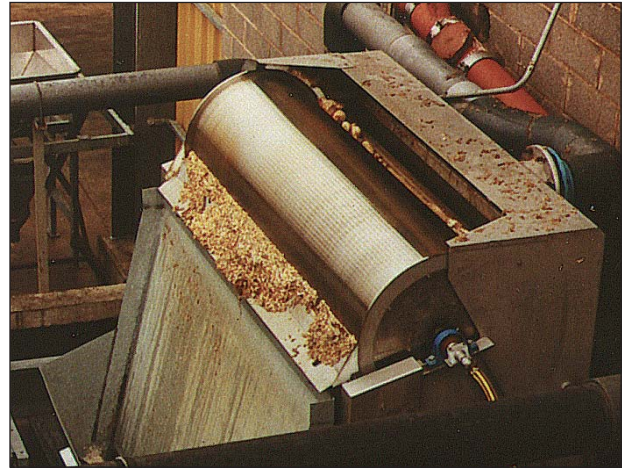
Flow (m ³ /h) for various slot openings								
Slot opening (mm) Model	0,15	0,25	0,50	0,75	1,00	1,25	1,50	2,00
GS6305	25	50	80	110	140	160	180	190
GS6310	50	100	170	225	285	320	360	385
GS6315	75	150	250	350	425	485	545	590
GS6320	100	200	335	465	565	645	730	785
GS6325	130	250	420	580	700	810	915	980

Given flows are for a municipal type effluent containing up to 200 mg/l of suspended solids and devoid of grease or fibrous material. For other applications, consult Andritz.

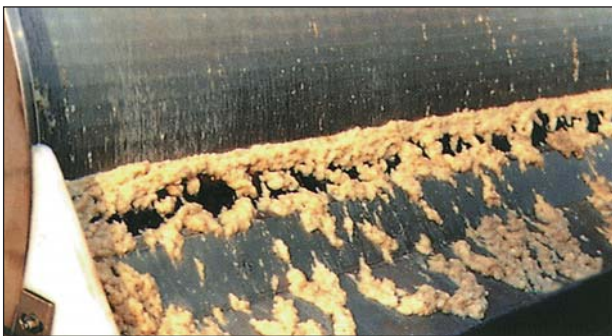
Installations



Tomato cannery - 0,75 mm.
Filtering, transport and wash water prior to re-use



Maize processing - 0,25 mm.
With screenings recovery plate in front of the screen.



Gut processing plant - 0,15 mm.
See scraping and mucus recovery method at the front of the screen.



Poultry slaughterhouse - 0,5 mm.
Heavily loaded water with large solids: feet, feathers, viscera.

France
Andritz S.A.S.
2/4 avenue de l'Europe
78140 VELIZY
Tel. +33 (0)1 39 26 05 50
Fax +33 (0)1 39 26 05 60

United Kingdom
Andritz Ltd
Unit B - Sheepbridge Centre
Sheepbridge Lane
Chesterfield,
Derbyshire, S41 9RX
Tel. +44 (0)1246-260660
Fax +44 (0)1246-260760

Spain
Andritz Ingenieria S.A.
c/Agustín y Antonia, 12
E- 28700 San Sebastián
de los Reyes
Tel. +34 91 663 64 09
Fax +34 91 651 19 31

Austria
Andritz AG
Stattegger Strasse 18
A-8045 Graz
Tel. +43 316 6902-0
Fax +43 316 6902-415

Germany
Andritz GmbH
Stephanopeler Strasse 22
D-58675 Hemer-Sundwig
Tel. +49 2372 9696-0
Fax +49 2372 9696-50

U.S.A.
Andritz Ruthner, Inc.
1010 Commercial Blvd. South
Arlington, Texas 76017
Tel. +1 817 4655611
Fax +1 817 4683961