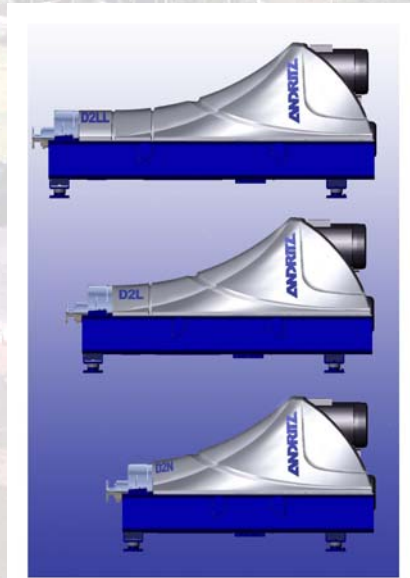


The new D2 series



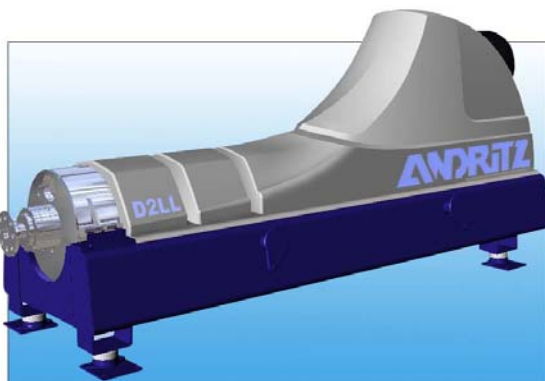
The best of industrial technology for sludge dewatering is now available to small size waste water treatment plants.

ANDRITZ offers you the new D2 series, the only range of centrifuges with following features :

- . optimized capacity,
- . polyvalence (thickening / dewatering)
- . very competitive ratio performance / price.

| Machine size | Direct dewatering of municipal waste activated sludge | | Size and weight (motors included) |
|--------------|---|---------|-----------------------------------|
| | Capacity | Dryness | |
| D2N | 1 to 4 m ³ /hr | ≥ 20% | 1850 x 750 x 1040 mm - 860 kg |
| D2L | 2 to 6 m ³ /hr | ≥ 20% | 2110 x 750 x 1040 mm - 940 kg |
| D2LL | 3 to 8 m ³ /hr | ≥ 20% | 2370 x 750 x 1040 mm - 1050 kg |

This new D2 series features High Performance scroll and double drive system for optimal flexibility and reduced absorbed power, as well as the new COVISTAR control unit for continuous attention free operation.



Contact us at :

ANDRITZ SAS
 2-4 avenue de l'Europe – Bâtiment A
 78140 VELIZY VILLACOUBLAY
 Tel : +33 1 39 26 05 50
 Fax : +33 1 39 26 05 60
 E-mail : environ.fr@andritz.com